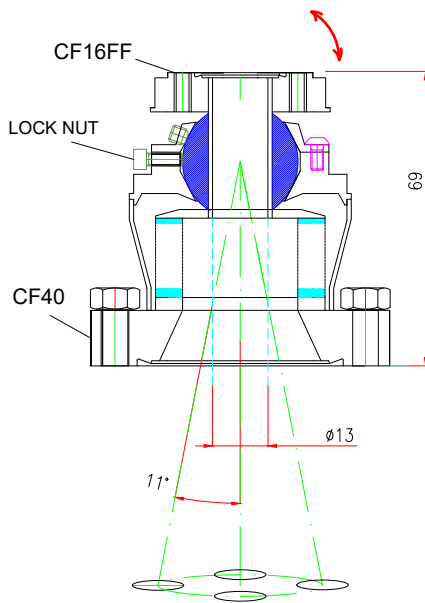


CF40-CF16 OPTICAL VIEWER

- * FULLY BAKEABLE TO 300 °C
- * 22° STERADIAN
- * MOUNTING IN ANY ATTITUDE
- * OPERATING VACUUM 2.10⁻¹¹mbar

Designed for application in Ultra High Vacuum, OV22 Optical Viewer is a manipulator manually operated on a 22° solid angle by two handles : one handle rotates continuously 360°the bearing all around the CF16; the second one induces 11° oscillation on the CF16 .Two screws allow to lock in position the CF16.On the bearing many instruments are available .

Typically a PLD laser can rotate around the center of the quartz window striking different targets; as CF16 window oscillates , but do not rotate , the quartz window life is more durable.



OV22 Manual Optical Viewer

Mounting flange	CF40ID
Optical flange	CF16ID
Bakeout	300°C
Steradian angle	22°
Operating vacuum	2.10 ⁻¹¹ mbar
Ordering code	TM 002 100

OV22 Driven Optical Viewer

Mounting flange	CF40
Optical flange	CF16FF
Bakeout	300°C
Steradian angle	22°
Ultimate vacuum	2.10 ⁻¹¹ mbar
Ordering code	TM 002

CF16 window can oscillate , but not rotate

